

14 Series

Mechanical Totalizer



The 14 Series is a compact, 5 figure, non-reset totalizer in a molded case with stainless steel shaft. Four types of drives are available and four case configurations. An ideal solution when application requirements call for a low cost and compact totalizer.

Key Features

- Four types of rotations
- Choice of four case configurations
- Built-in non-overthrow mechanism on stroke counters
- Built-in internal stops on stroke counters
- 5 Figure: white on black background

Options

- Mounting

Applications

Circuit breakers



Vending machines



Gaming machines

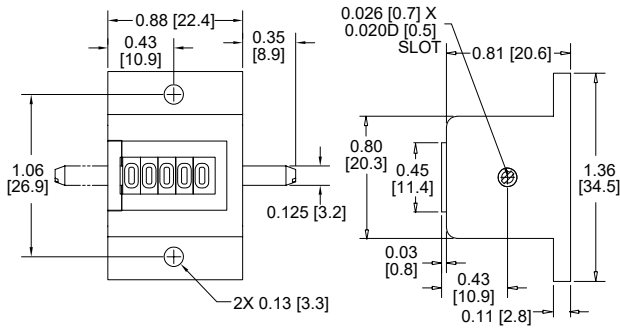


Business and office equipment

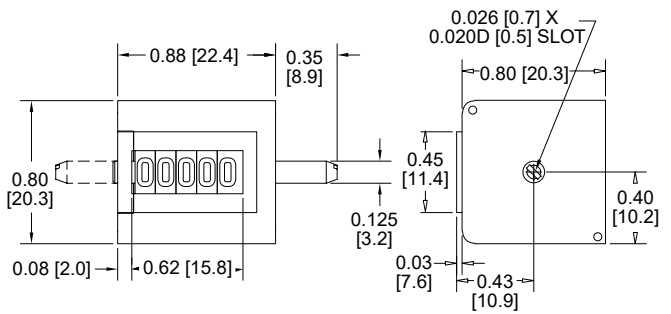


Dimensions

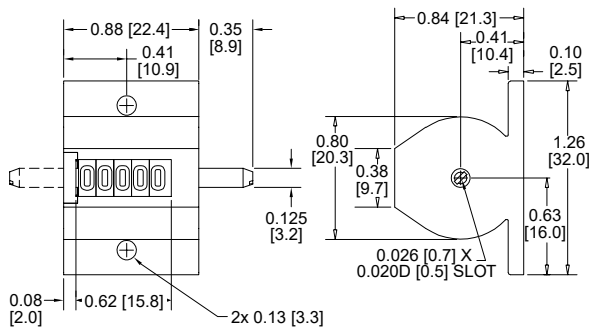
Square Case Base Mount



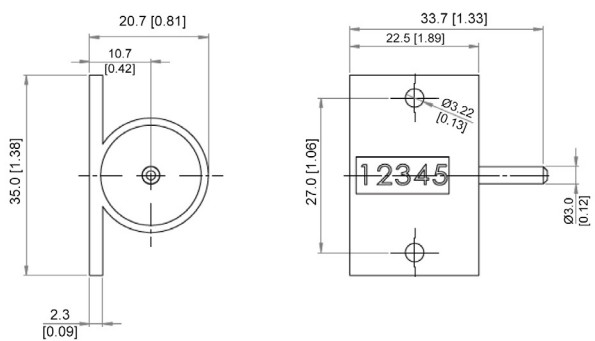
Square Case Without Flange



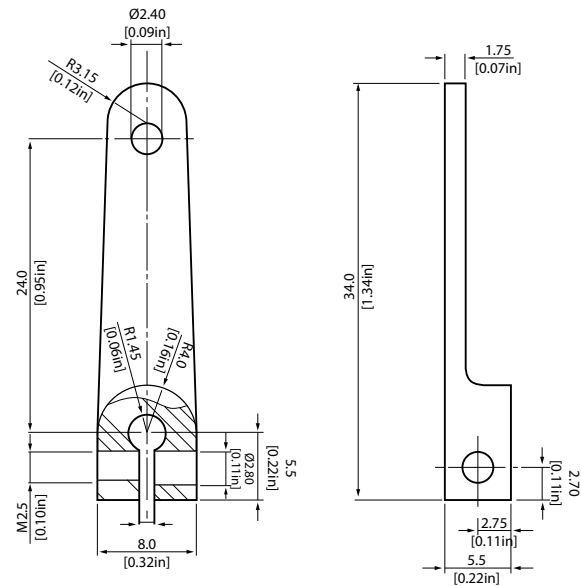
Round Case Mount



Round Case Panel Mount



Standard Lever (AB17R)



Optional Lever (AX7)

